



FALLPROTEC

Height Safety Products

since
2004
always innovative



> **Active Fall protection > Horizontal lifeline HLL**
Compliant with ANSI Z359.6



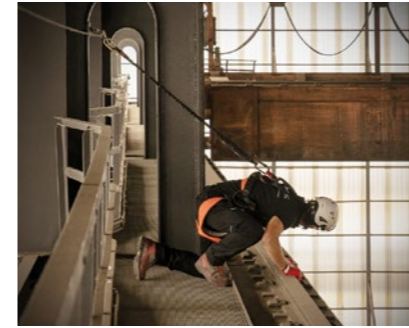
SecuRope®
On ground | 03



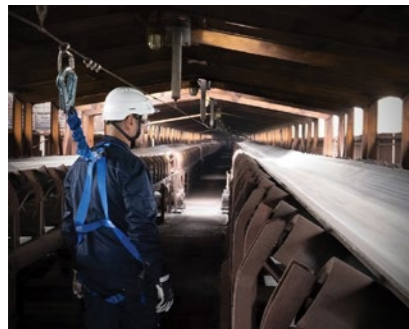
Type of fixation
On Standing seam roof | 04



Type of fixation
On hot deck brackets | 05



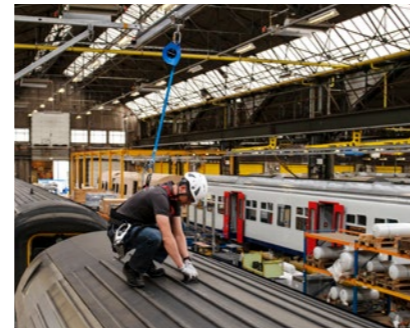
SecuRope®
Overhead | 06



Type of fixation
On steel beams | 07



SecuRail® Pro | 08

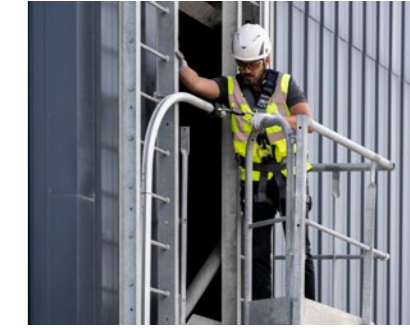


SafeAccess Rail®
Fall Arrest | 09

> **Active Fall protection > Vertical lifeline VLL**
Compliant with OSHA 19010.29 & ANSI A14.3

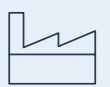


SecuRope®
QuickSet | 10



SecuRail® Pro
MastLadder | 11

> **Application Icons**



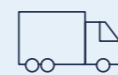
Industrial



Housing



Buildings



Over Trucks



Vertical Structures



Confined Spaces



Fall Arrest



Rope Access



Work in restraint

SecuRope® On ground

Advantages

- Up to 2 users
- 36' max. between fixations
- Freehand system
- Undeformable
- Reduced cable swag
- Stainless steel AISI316
- Energy absorbing on orientable intermediate anchors
- Wide range of brackets for all structures
- Possibility of custom-made solutions with the Tie Down & Fallprotec's engineering department

Applications on

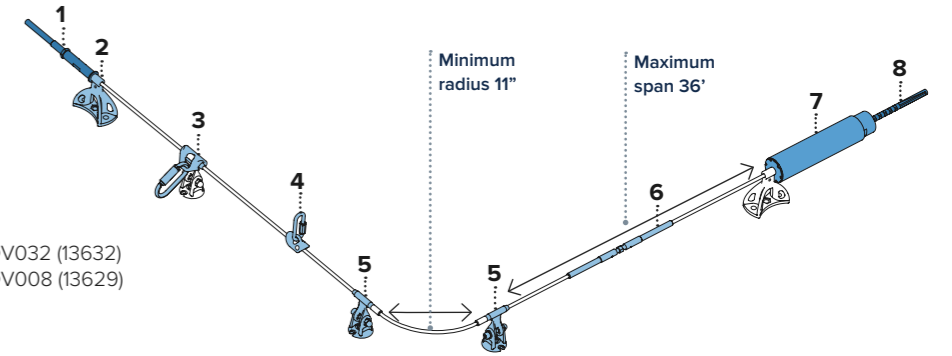


Compliant with ANSI Z359.6



Horizontal SecuRope lifeline directly on concrete

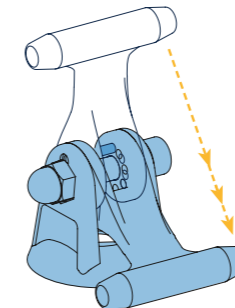
- 1 LDV137 (13636) 2 LDV002 (13628) 3 LDV001 (13627) 4 LDV060 (13687) 5 LDV043 (13634) 6 LDV138 (13688) 7 LDV032 (13632) 8 LDV008 (13629)



Intermediate anchors for horizontal lifelines



★ Energy absorption by shear pin breaking



The NEO anchor is roof protecting thanks to its integrated shock absorbing system. Reusable after stopping a fall.

LDV043 (13634)

	LDV043 (13634)	LDV083 (13689)
Energy absorbing	•	
Undeformable	•	•
Stainless steel components	•	•
Suitable for fragile structures	•	
Available in copper alloy for ATEX environments	•	



The EVO anchor, a competitive solution, has been specifically designed for concrete grounds and rigid structures.

LDV083 (13689)

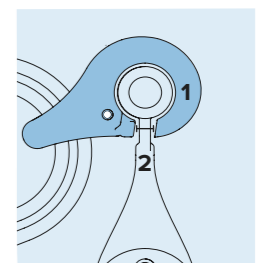


★ No need to approach to pass the intermediates. Surpassable lifeline

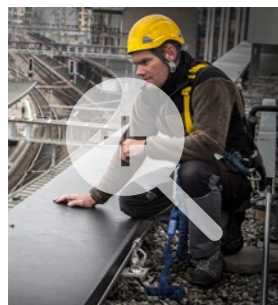
Glider with steel carabiner

Tie Down & Fallprotec offer a wide range of gliders adapted to each type of situation. Delivered with steel carabiners, the glider passes smoothly over the intermediate anchors, letting the user move freely along the lifeline.

1. LDV001 (13627)
2. LDV043 (13634)

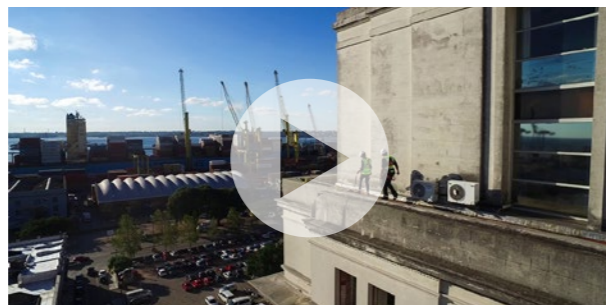


Case Study



Click on the picture to see all case studies related to SecuRope cable lifeline system on ground.

Videos



Click on the picture to watch the full video and others related to this system in our YouTube channel

On standing seam roof Type of fixation

> INDEX PAGE

> ONLINE PRODUCT PAGE

> PRINTED CATALOGUE

> FAQS PAGE

Advantages

- Up to 2 users
- Energy and dilatation absorbing
- No drilling needed
- Wide range of clamps for seams
- Aluminum and stainless steel components
- Copper also available
- Compatible with Securope, Securail and Securail Pro

Applications on



Compliant with ANSI Z359.6

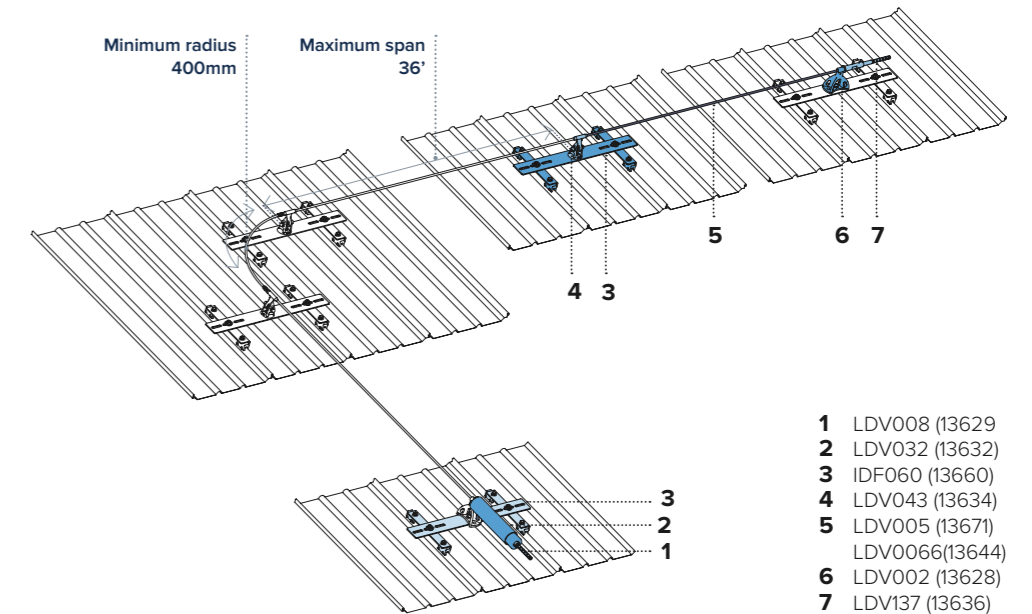


- > The fixing assembly for standing seam roof is clamped on the seam and doesn't require any perforation. The clamps combine high pull out and shear strength.

Combined with the Securope NEO lifeline, the system completely absorbs the dilatation and contraction of the standing seam roof.

Easy to install on new constructions or existing buildings.

Securope NEO on standing seam roof

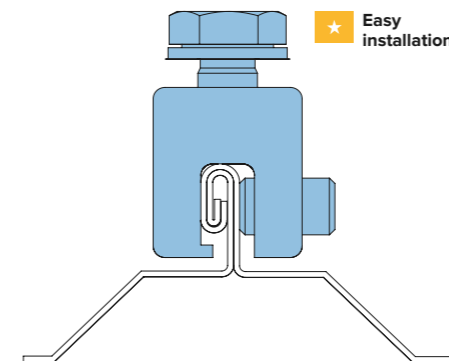


Fixing clamps

The fixing bracket for standing seam roof is clamped on the seam and doesn't require any perforation. The clamps combine high pull out and shear strength.

Combined with the Securope NEO lifeline, the system completely absorbs the dilatation and contraction of the standing seam roof.

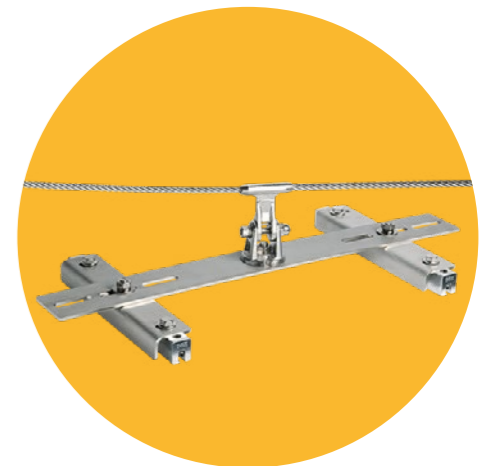
Easy to install on new constructions or existing buildings. Fallprotec provides different clamp types to match the corresponding standing seam roof.



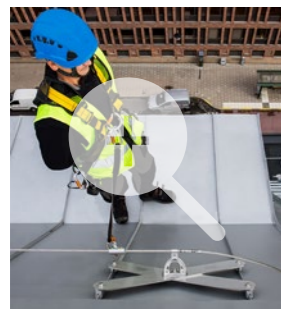
NEO Anchor on fixing assembly

The bracket ensures a proper fixing on the standing seam and load distribution.

LDV043 (13634)
IDF060 (13660)



Case Study



Click on the picture to see all case studies related to Securope cable lifeline system on standing seam roof.

Videos



Click on the picture to watch the full video and others related to this system in our YouTube channel

On hot deck brackets Type of fixation

> INDEX PAGE

> ONLINE PRODUCT PAGE

> PRINTED CATALOGUE

> FAQS PAGE

Advantages

- Up to 2 users
- Undeformable
- Energy absorbing
- Can be retrofitted
- Reinforced toggle bolt
- Compatible with all bituminous membranes
- Compatible with TPO, FPO, EPDM after verification by engineer
- Compatible with PVC-P membranes
- Compatible with Securope, Securail and Securail Pro

Applications on



Compliant with ANSI Z359.6



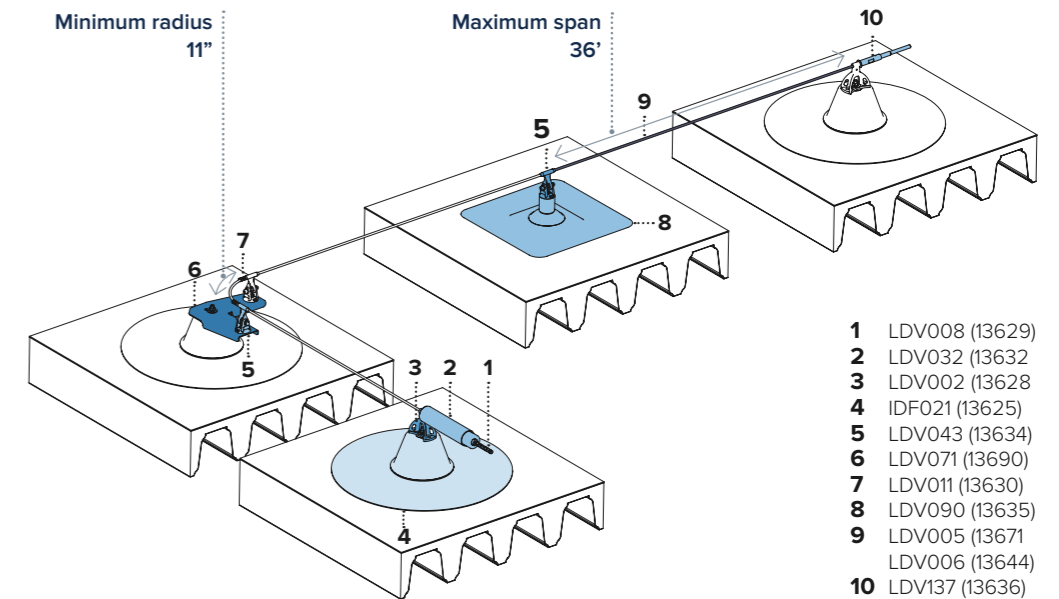
- > The Multipost and SpotAnchor are designed for hot deck roofs.

High resistance toggle bolts enable the fixation on corrugated metal sheets, wooden panels or precast concrete.

Only the toggle bolts passes through the isolation, then thermal bridges are minimized. The roofing collar, in bitumen or PVC-P, is prefitted in the factory to guarantee the waterproofness.

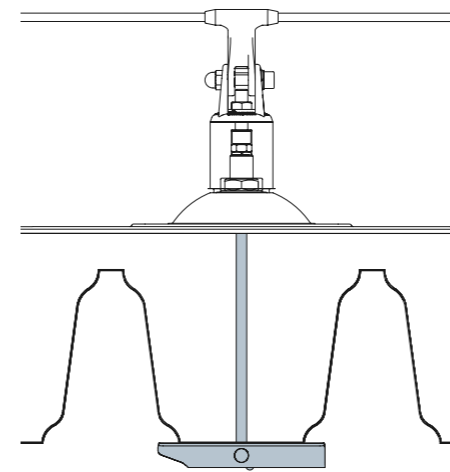
Easier to retrofit on existing buildings.

Securope NEO on hot deck brackets



Fixing detail of SpotAnchor

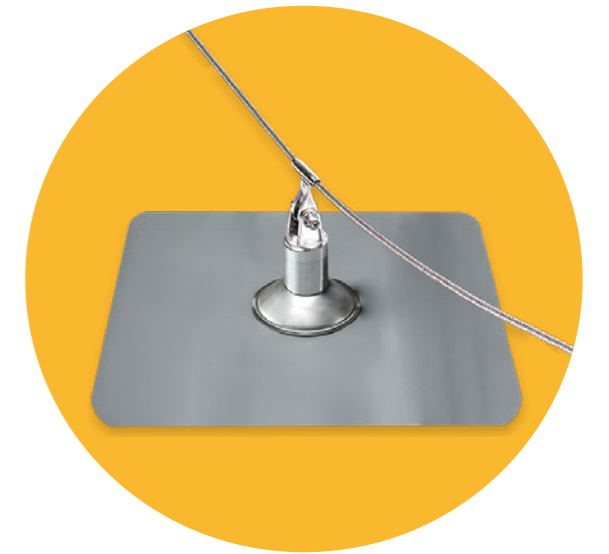
The SpotAnchor is fixed by a reinforced toggle bolt FAS005 (13621). This allows a distribution of forces on a large surface.



NEO Anchor on SpotAnchor fixing assembly

For modern constructions with wooden panels, the Securope lifeline is installed on SpotAnchor.

LDV043 (13634)
LDV090 (13635)



Case Study



Click on the picture to see all case studies related to Securope cable lifeline system on hot deck brackets.

Videos

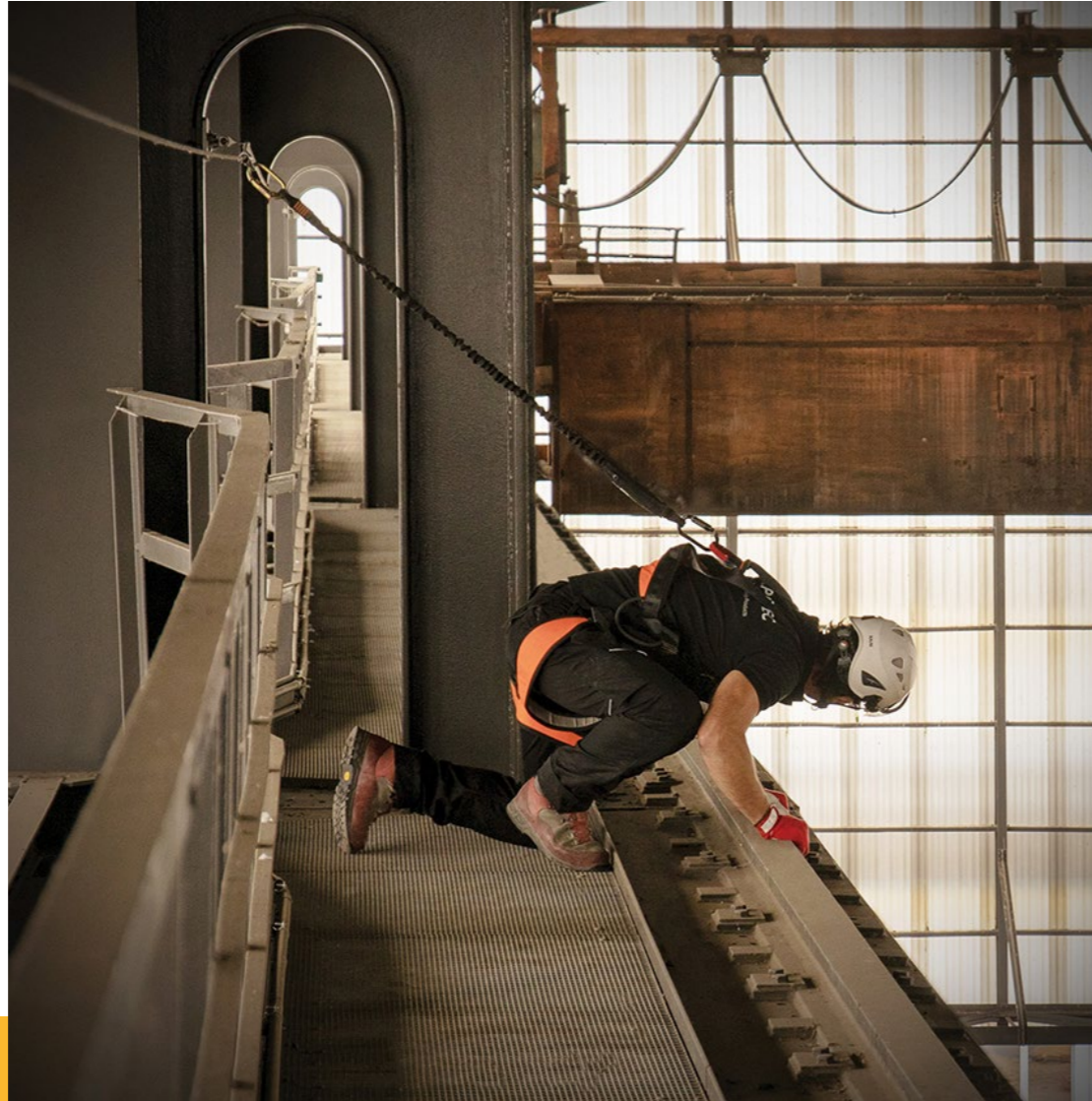


Click on the picture to watch the full video and others related to this system in our YouTube channel

SecuRope® Overhead

Advantages

- Up to 2 users
- Undeformable
- Can be used with retractable fall arresters
- Also for curved sections (minimum radius: 11")
- The glider passes smoothly over NEO anchor with a retractable fall arrester
- Often used in the industry for works above machines, recommended for a distance between the lifeline and the walkway up to 23'
- Can be installed in corrosive environments



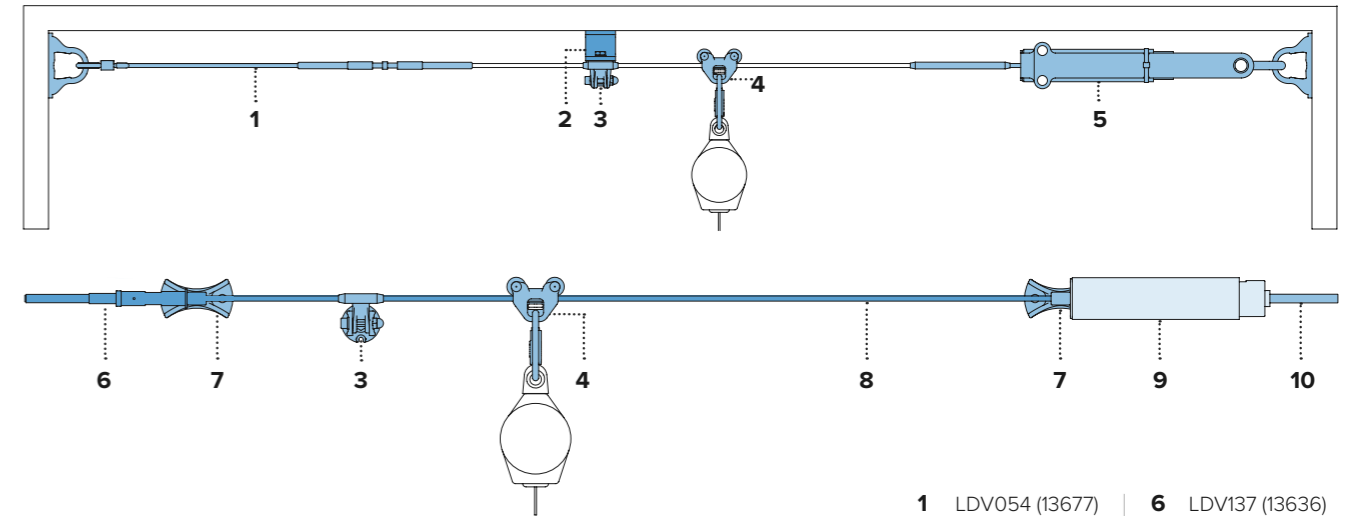
Applications on



Compliant with ANSI Z359.6

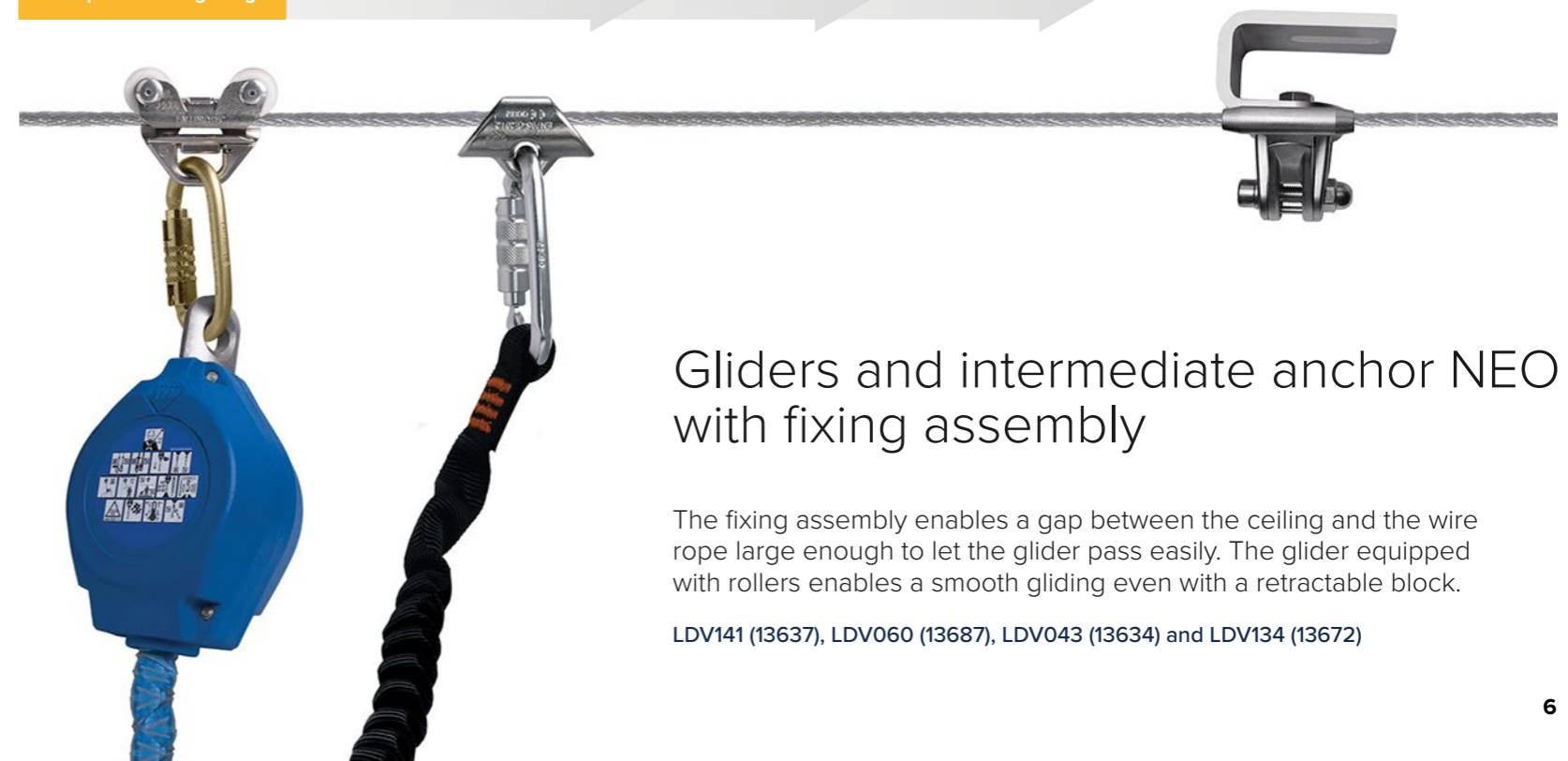
- > Securope overhead lifeline. Most used configuration for industrial halls and applications as train maintenance as the overhead lifeline reduces the fall distance.

NEO SecuRope Lifeline between two walls and NEO SecuRope Lifeline on wall configuration



- | | |
|------------------|-------------------|
| 1 LDV054 (13677) | 6 LDV137 (13636) |
| 2 LDV134 (13672) | 7 LDV002 (13628) |
| 3 LDV043 (13634) | 8 LDV005 (13671) |
| 4 LDV141 (13637) | 9 LDV032 (13632) |
| 5 LDV139 (13678) | 10 LDV008 (13629) |

★ Super smooth gliding

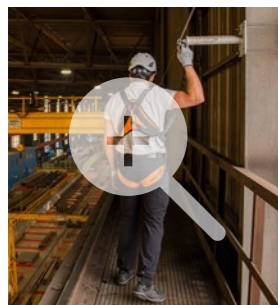


Gliders and intermediate anchor NEO with fixing assembly

The fixing assembly enables a gap between the ceiling and the wire rope large enough to let the glider pass easily. The glider equipped with rollers enables a smooth gliding even with a retractable block.

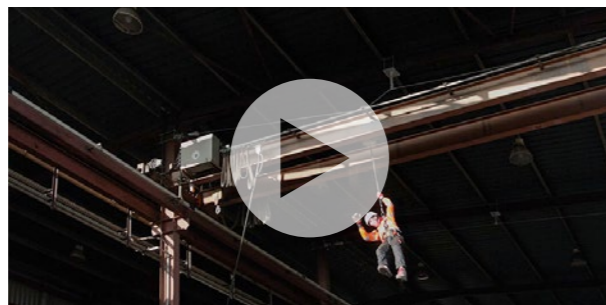
LDV141 (13637), LDV060 (13687), LDV043 (13634) and LDV134 (13672)

Case Study



Click on the picture to see all case studies related to SecuRope cable lifeline system overhead.

Videos



Click on the picture to watch the full video and others related to this system in our YouTube channel

On steel beams Type of fixation

> INDEX PAGE

> ONLINE PRODUCT PAGE

> PRINTED CATALOGUE

> FAQS PAGE

TIE DOWN
SAFETY

FALLPROTEC
Height Safety Products

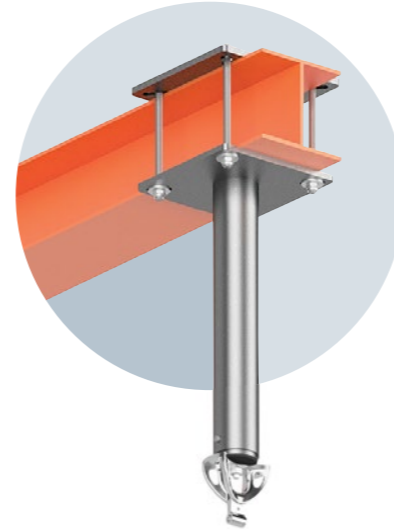
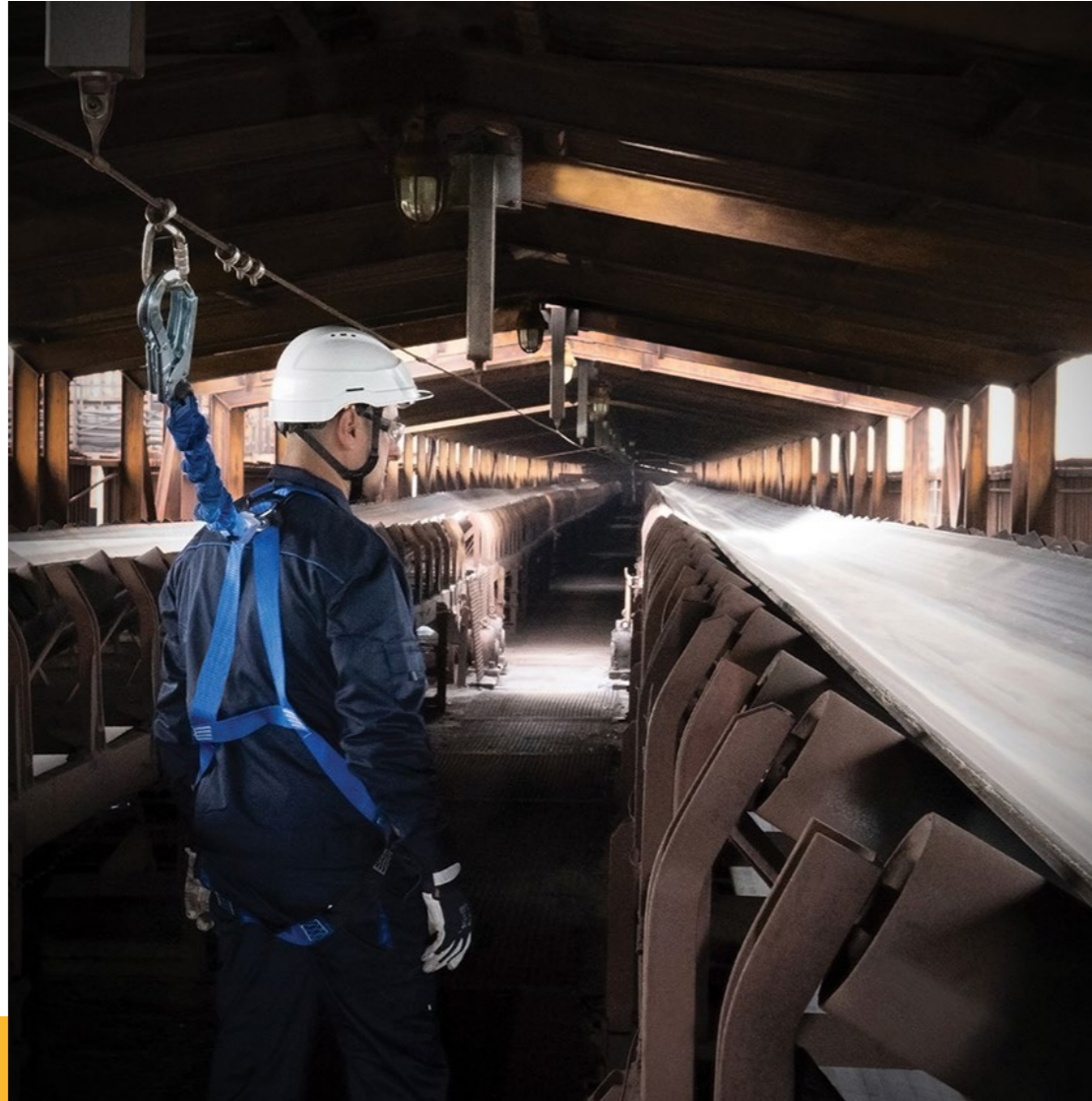
Advantages

- Up to 2 users
- Easy and quick installation
- Undeformable
- Smooth movements along the lifeline
- Stainless steel
- Harmonized design for standard beams with a flange from 2" to 11"mm
- Clamped fixing assembly, the force exerted perpendicular or parallel to the axis of the lifeline
- Compatible with SecuRope, SecuRope EVO, Secura, SecuRail, SecuRail Pro and SafeAccess

Applications on

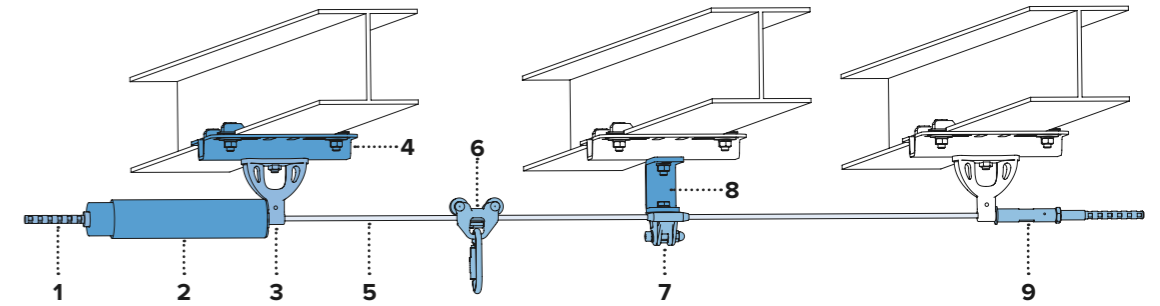


Compliant with ANSI Z359.6



> Fallprotec's engineering department adapted the SecuRope system to cope with any particular requirement of a project.

SecuRope horizontal overhead on steel beams



The NEO SecuRope lifeline can be attached to beams or columns through a system of clamps. Using this type of fastening enables a solid fixation of the lifeline without drilling.

Particularly useful for industrial configurations, the SecuRope NEO lifeline with crimping rings can stop a fall with very low cable deflection.

- 1 LDV008 (13629)
- 2 LDV003 (13643)
- 3 LDV002 (13628)
- 4 IDF050 (13671)
- 5 LDV005 (13671)
- 6 LDV141 (13637)
- 7 LDV043 (13634)
- 8 LDV134 (13672)
- 9 LDV137 (13636)



Fixing assembly for a vertical fastening on a steel beam using clamps. Compatible with all types of Fallprotec anchoring devices for horizontal or inclined lifelines.

IDF051 (13691)



Fixing assembly for fastening on a steel beam using a counter plate. Compatible with all types of Fallprotec anchoring devices for horizontal or inclined lifelines. Usable on wood and on concrete.

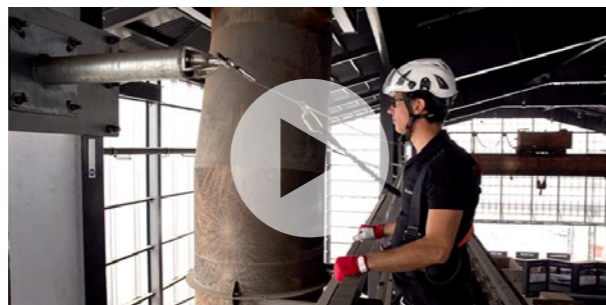
IDF055 (13664)

Case Study



Click on the picture to see all case studies related to SecuRope cable lifeline system on steel beams.

Videos



Click on the picture to watch the full video and others related to this system in our YouTube channel

SecuRail® Pro

> INDEX PAGE

> ONLINE PRODUCT PAGE

> PRINTED CATALOGUE

> FAQ's PAGE

TIE DOWN
SAFETY

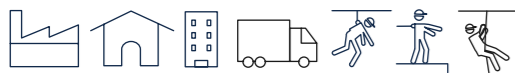
FALLPROTEC
Height Safety Products

Advantages

- Up to 2 users between brackets
- Span up to 20'
- 1,2 lbs/foot
- Low deflection
- High grade aluminum rigid rail
- Absorbs dilatation / contraction
- Possibility of custom-made solutions with the Tie Down & Fallprotec's engineering department



Applications on



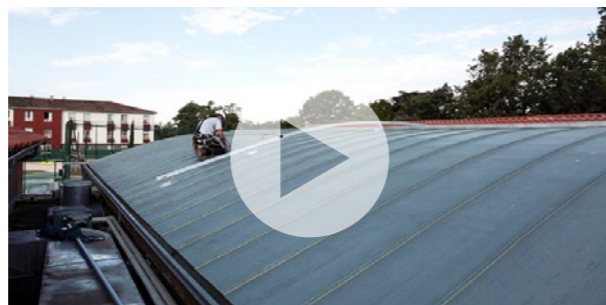
Compliant with ANSI Z359.6

Case Study



Click on the picture to see all case studies related to SecuRail Pro rail system.

Videos



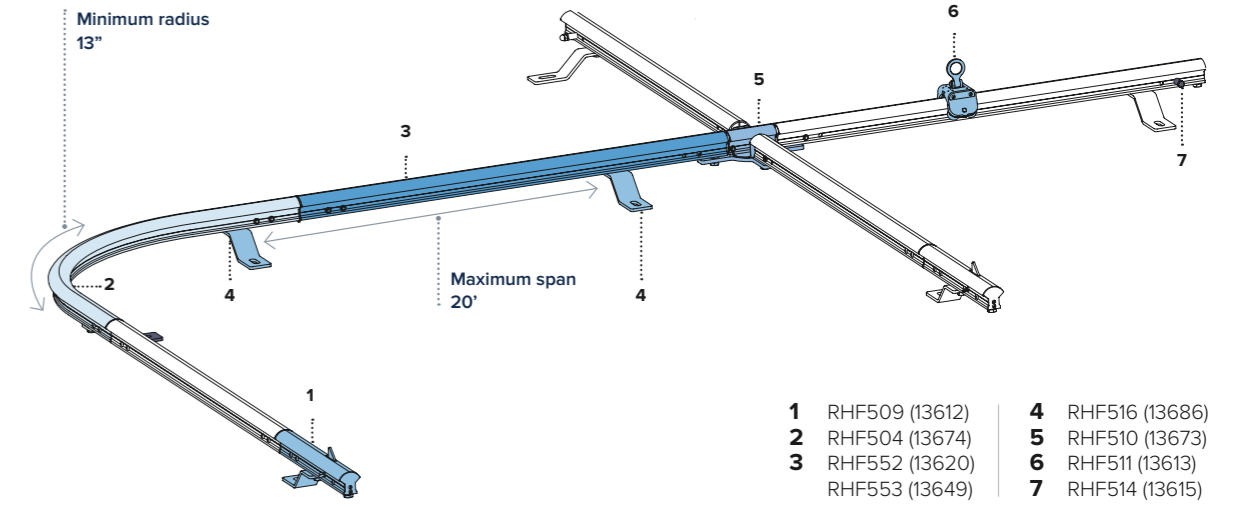
YouTube

Click on the picture to watch the full video and others related to this system in our YouTube channel

> The SecuRail Pro is a rigid and versatile fall arrest rail. This unique profile has a high inertia that enables a 20' meter span between supports.

It is ideal for work sites with low fall clearance.

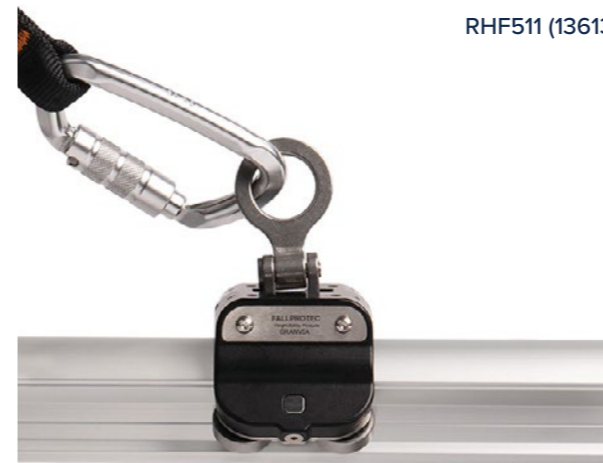
Horizontal SecuRail lifeline on ground



Trolley GRANVIA

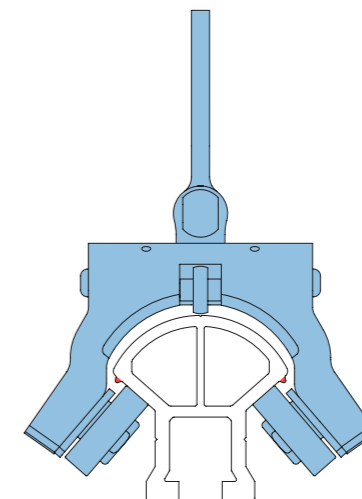
The GRANVIA fall arrest trolley equipped with rollers glides smoothly along the track following the user's movement. Anti-derailment claws mounted between the rollers keep the trolley firmly on the track. The same trolley is used for ground, wall and ceiling configuration.

RHF511 (13613)



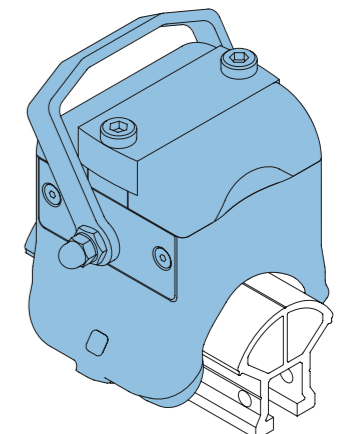
Trolley GRANVIA

The rollers fitted with ball bearings enable a smooth gliding of the trolley.



Overspeed trolley

The new trolley works either for inclined and horizontal lifelines. This allows the assembly of horizontal lifelines with inclined span, all in one, avoiding the user's disconnection.



SafeAccess® fall arrest

> INDEX PAGE

> ONLINE PRODUCT PAGE

> PRINTED CATALOGUE

> FAQ'S PAGE

TIE DOWN
SAFETY

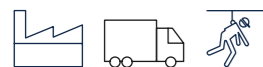
FALLPROTEC
Height Safety Products

Advantages

- Up to 2 users
- 3,4 lbs/foot
- Span up to 20'
- Undeformable
- ATEX certified
- High grade aluminum rigid rail
- Possibility to fold away the Alsipercha and SafeAccess system when not in use
- Possibility of custom-made solutions with the Tie Down & Fallprotec's engineering department

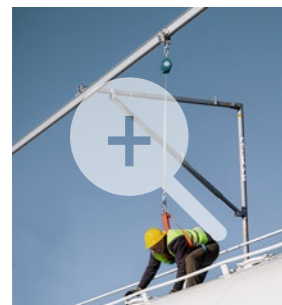


Applications on



Compliant with ANSI Z359.6

Case Study



Click on the picture to see all case studies related to related to SafeAccess rail fall arrest.

Videos



Click on the picture to watch the full video and others related to this system in our YouTube channel

> The SafeAccess is an undeformable fall arrest rail for industrial applications. Installed in overhead configuration, it is the most suitable system when the fall clearance is low.

ATEX certified for potentially explosive atmospheres, this rail is also ideal for petrochemical industries.

The aluminum rail is protected by a high-quality powder coated surface treatment that resists to marine environment

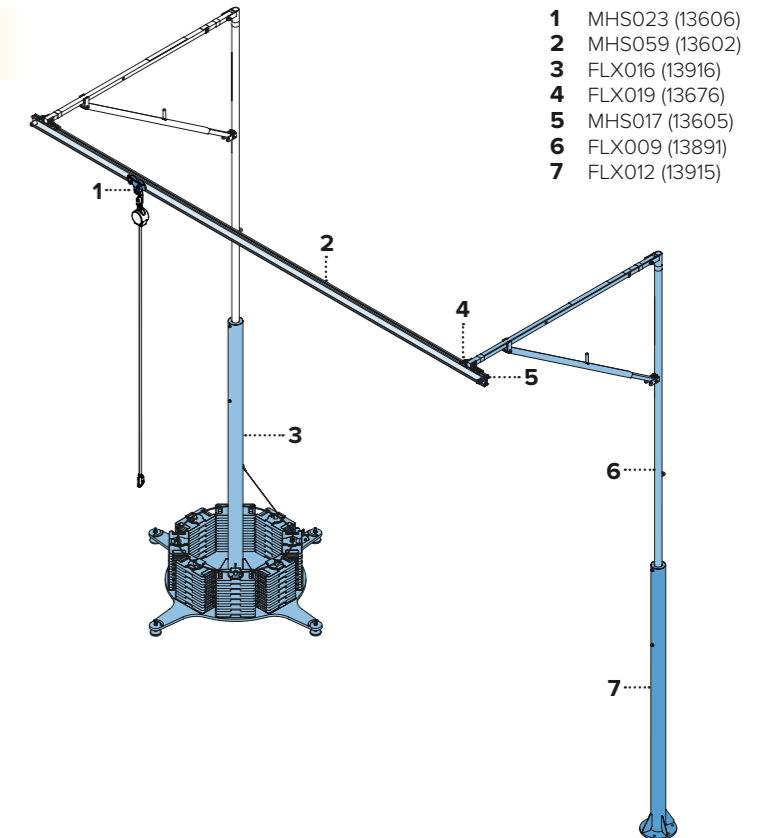
The NAV 2 trolley equipped with rollers follows smoothly without any action from the end user.

Horizontal fall arrest

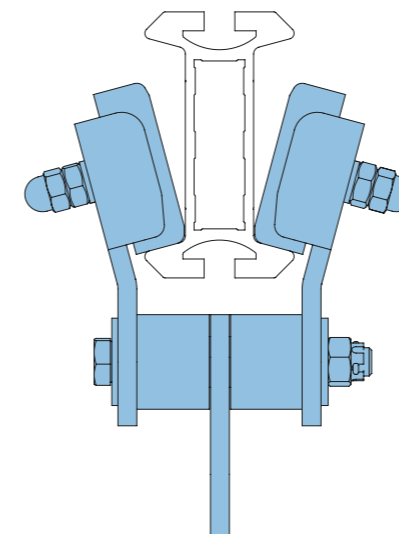
The Alsipercha is a standardized outrigger beam to secure loading bays and machinery. Equipped with an integrated energy absorber, it is a lightweight and yet robust design for industrial applications with a minimum fall clearance of 13'.

Combined with the SafeAccess fall arrest rail for access on top of vehicles.

Several configurations (mobile, fixed on ground, fixed on wall...) are available.



Trolley NAV 2



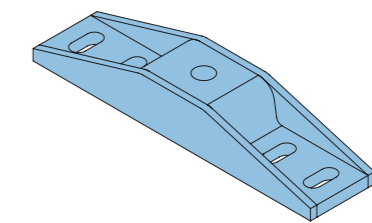
The SafeAccess rail combined with a safety block enables the safest possible fall arrest.

MHS023 (13606)

Products for foldable system



Rotatory lock kit
FLX017 (13685)



Rotatory Junction Alsipercha-SafeAccess
FLX018 (13692)

SecuRope® QuickSet

> INDEX PAGE

> ONLINE PRODUCT PAGE

> PRINTED CATALOGUE

> FAQS PAGE

Advantages

- Opening glider with safety lock
- Easy mounting
- Overpassing anchors
- Swageless system
- Cable vibration absorption system
- No deformation of the intermediate anchors
- Two options: Absorber integrated in the glider or on top of the lifeline

Applications on



Compliant with OSHA 19010.29 | ANSI A14.3



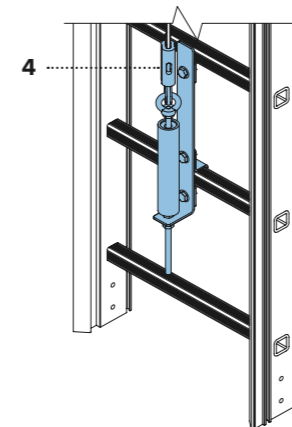
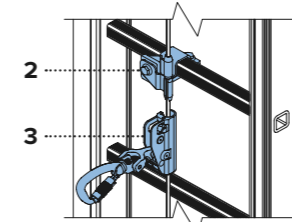
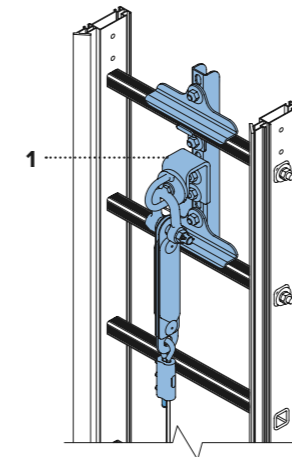
> The SecuRope QuickSet is designed for wind turbines, pylones, masts or industrial sites. This flexible system is used with stainless steel cables. The glider is openable and can be inserted or removed at any point of the cable.

Two types of fall arrest systems are possible with this lifeline.

Type 1: Energy absorber fixed on the top anchor. It is permanently fixed on the lifeline.

Type 2: Energy absorber fixed on the opening glider. The glider locks instantly in case of a fall, triggering the energy absorption device.

SecuRope QuickSet Vertical lifeline type 1 with absorber on



New ZIP! fall arrest opening glider fitted with energy absorber

Passing smoothly through the anchors, the glider locks in case of a fall.

LDV255 (13648)



★ Brake mechanism

Case Study



Click on the picture to see all case studies related to QuickSet cable vertical lifeline system.

Videos



YouTube

Click on the picture to watch the full video and others related to this system in our YouTube channel

Ladder lifeline

- 1 LDV232 (13655)
- 2 LDV241 (13647)
- 3 LDV255 (13648)
- 4 LDV266 (13646)

SecuRail® Pro MastLadder

> INDEX PAGE

> ONLINE PRODUCT PAGE

> PRINTED CATALOGUE

> FAQS PAGE

Advantages

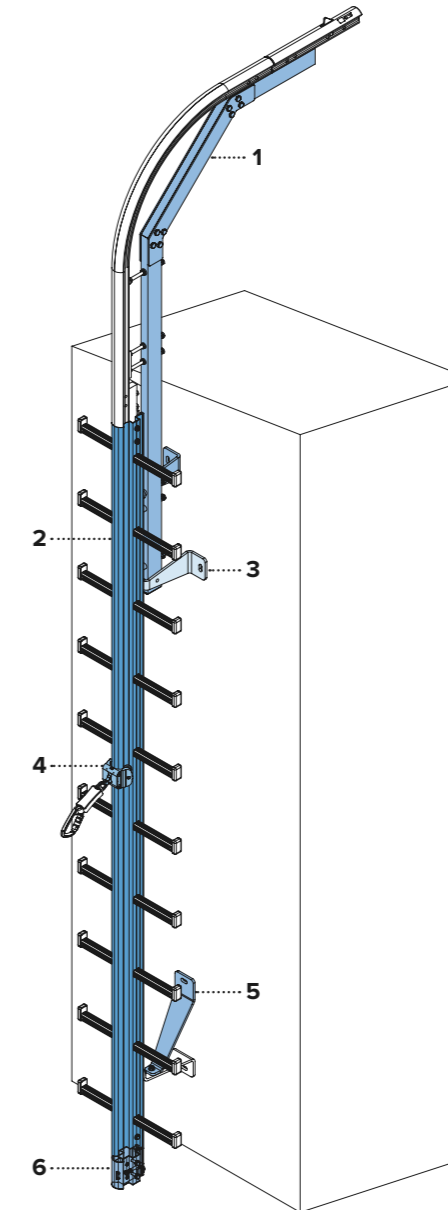
- Light aluminum rail
- Freehand system & Undeformable
- On ladder or with fixed rungs (MastLadder)
- Easy use, ergonomic
- Trolley equipped with an energy absorber
- Possibility of custom-made solutions with the Tie Down & Fallprotec's engineering department



> The SecuRail Pro Vertical is a rigid lifeline to secure access on any structure. When clamped on an existing ladder it secures the end user much better than the regular safety hoops.

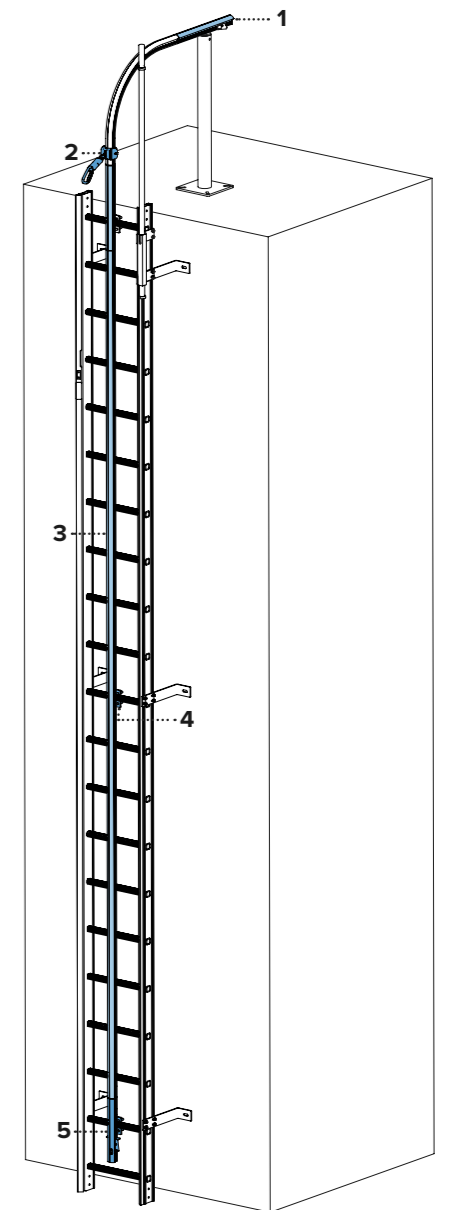
A MastLadder fitted with fixed rungs is designed for confined spaces, for industrial halls or for telecommunication towers. Undeformable stainless steel brackets connect the MastLadder to the structure.

SecuRail MastLadder and SecuRail Pro Vertical lifeline clamped on a ladder



MastLadder lifeline

- | | |
|------------------|------------------|
| 1 RHF715 (13679) | 4 RHF518 (13616) |
| 2 RHF700 (13680) | 5 RHF710 (13682) |
| 3 RHF712 (13681) | 6 RHF708 (13683) |



SecuRail Pro

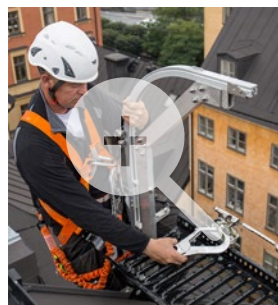
- | | |
|------------------|------------------|
| 1 RHF520 (13617) | RHF553(13649) |
| 2 RHF518 (13616) | 4 RHF521 (13618) |
| 3 RHF552 (13620) | 5 RHF522 (13619) |

Applications on



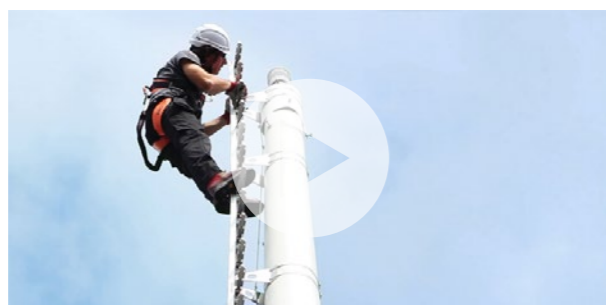
Compliant with OSHA 19010.29 | ANSI A14.3

Case Study



Click on the picture to see all case studies related to SecuRail Vertical / MastLadder.

Videos



Click on the picture to watch the full video and others related to this system in our YouTube channel

United States of America
TIE DOWN

605 Stonehill Dr. SWAtlanta, GA 30336
T: 404-344-0000
customerservice@tiedown.com

Luxembourg
FALLPROTEC SA

43-45, ZA Op Zaemer
4959 Bascharage
T: +352 26 55 09 30
F: +352 26 55 09 30 55
marketing@fallprotec.com

Spain
FALLPROTEC SL

C/ Eduard Calvet i Pintó 4
Pol. Ind. Vallmorena
08339 Vilassar de Dalt
T: +34 93 114 22 31
info@fallprotec.es



WARNING: Products described in this catalog may contain chemicals, including Nickel, which are known to the State of California to cause cancer. For more information go to: www.P65Warnings.ca.gov.



www.tiedown.com



www.fallprotec.com